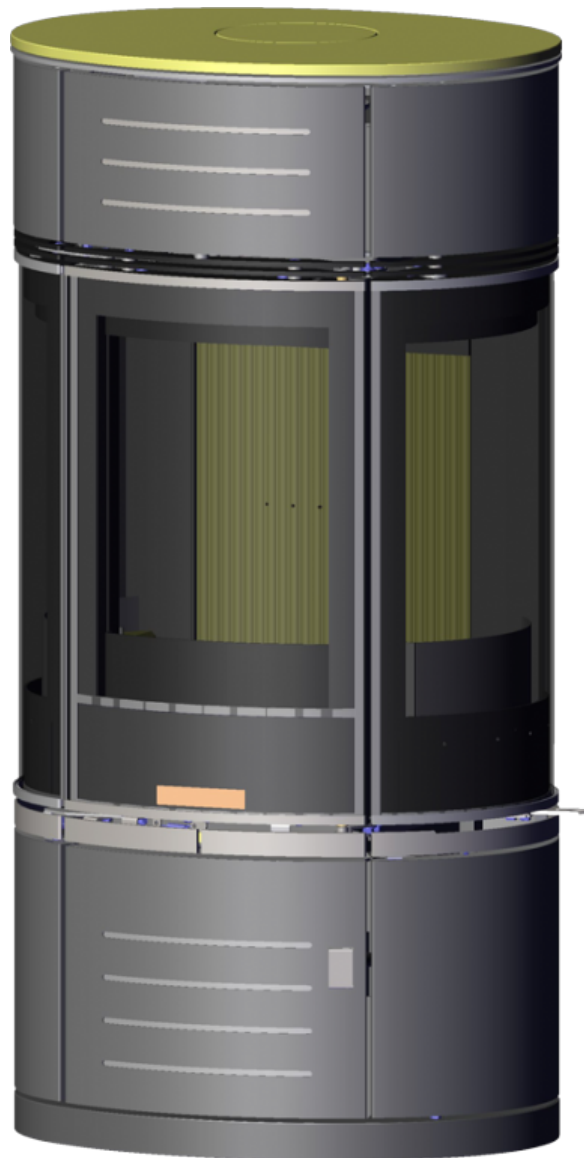




Product technical sheet (en)

Fireplace Stoves TYP: 350

ATRIUM 6



Technical parameters

350ATG

Power output

Controllable output range (kW)	3 - 8
--------------------------------	-------

Dimensions

Height (1) x Width (2) x Depth (3) (mm)	1152 x 588 x 468
Maximum log length (mm)	300

Weights depending on lining

Metal sheet (kg)	119
------------------	-----

Air

Central air supply (7) / diameter (mm) / Air inlet connector included	yes / Ø 100 / no
Secondary air control	yes
Primary air control	no
Tertiary air supply	yes
Air supply automatic control	no
Height of axis of central air inlet from the floor (8) (mm)	180

Parameters

Fuel: wood / wooden briquettes [W / WB]	
Consumption of acceptable fuel at nominal capacity (kg/hour) [W / WB]	1,5 / 1,4
Heated volume (m ³)	60 - 160
Energy power efficiency (%) [W / WB]	80,9 / 80,9
Minimum chimney draft (Pa)	12
Flue gases temperature (°C) [W / WB]	222 / 216
Weight flow of flue gases (g/s) [W / WB]	5,3 / 5,5
CO concentration at 13% O ₂ (mg/Nm ³) [W / WB]	1012 / 1219
NOx concentration at 13% O ₂ (mg/Nm ³) [W / WB]	82 / 91
OGC concentration at 13% O ₂ (mg/Nm ³) [W / WB]	50 / 49
Dust concentration at 13% O ₂ (mg/Nm ³) [W / WB]	28 / 30
Multiple loading door closing	yes

Smoke duct

Smoke duct connection (4)	top/rear
Smoke duct diameter (mm)	Ø 150
Height of axis of rear chimney flue from the floor (5) (mm)	970
Distance of axis of upper chimney flue to the rearmost product part (6) (mm)	208

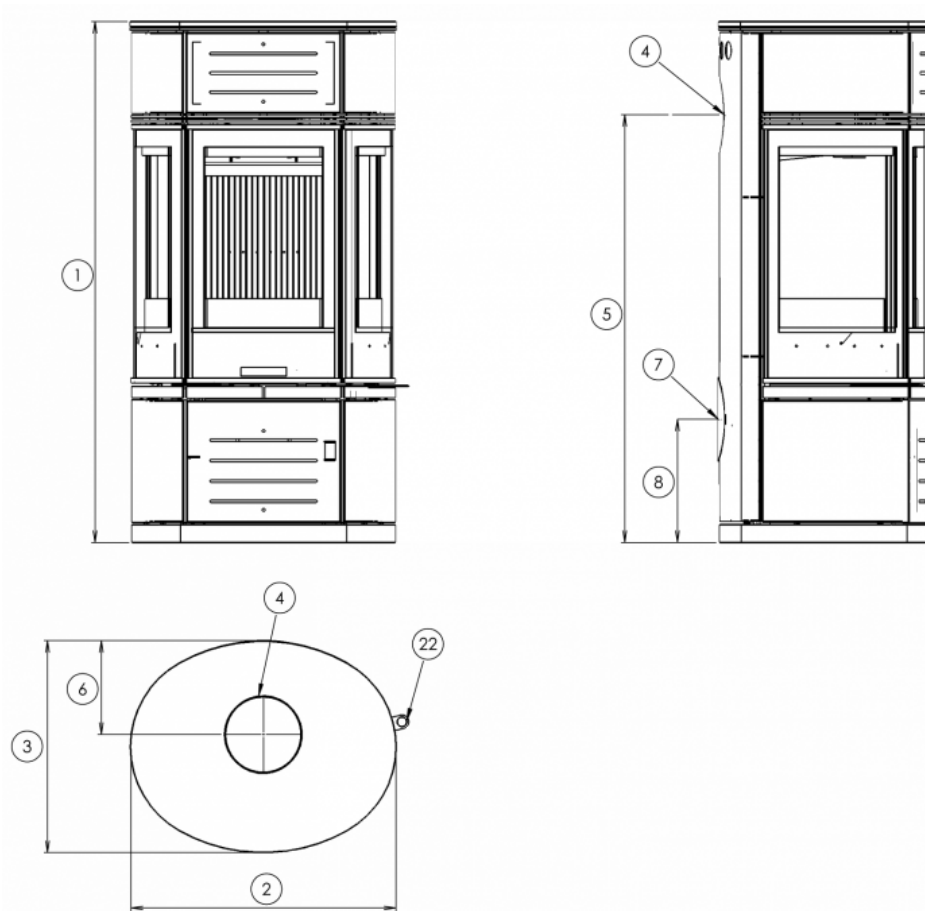
Tests

EN 13240:2001/A2:2004/AC:2007-8	yes
BvG §15a	yes
I. BImSchV Stufe 2	yes
EKODESIGN / Seasonal energy efficiency of heating (%) [W / WB]	yes / 71,9 / 71,9

Distance from flammable materials

From the side / From behind / From the front (mm)	800 / 200 / 800
---	-----------------

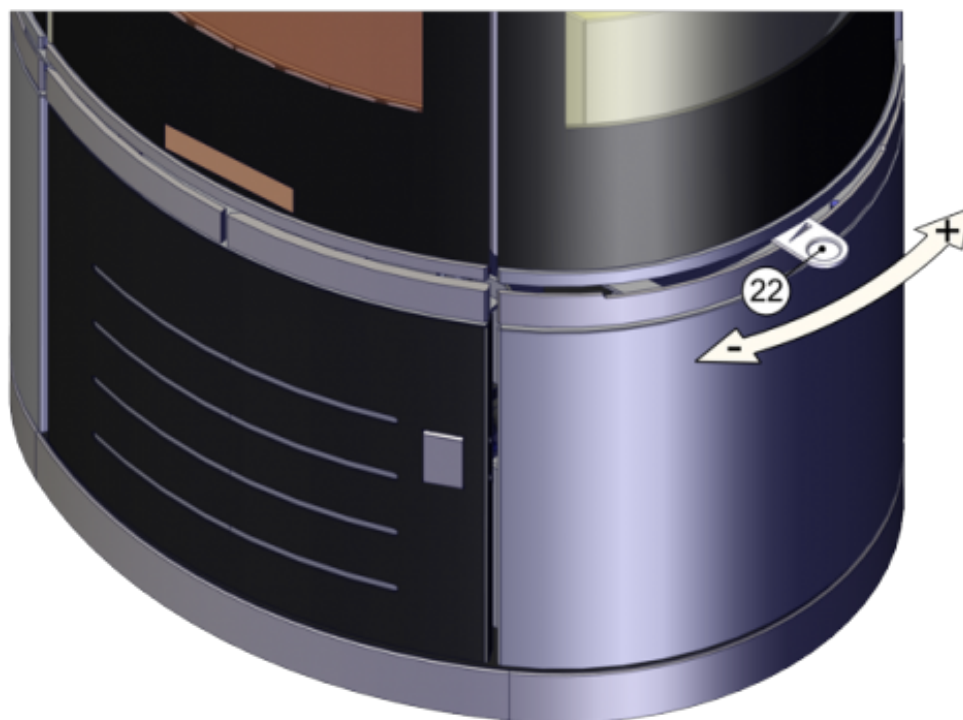
Dimensional sketch



Additional information

1	height	1152 mm
2	width	588 mm
3	depth	468 mm
4	smoke duct	Ø 150 mm
5	height of axis of rear chimney flue from the floor	970 mm
6	distance of axis of upper chimney flue to the rearmost product part	208 mm
7	central air supply	Ø 100 mm
8	height of axis of central air inlet from the floor	180 mm
22	burning intensity control - retracted open	

Air control



Heating by wood and wooden briquettes

Only control the power by controlling the combustion intensity.